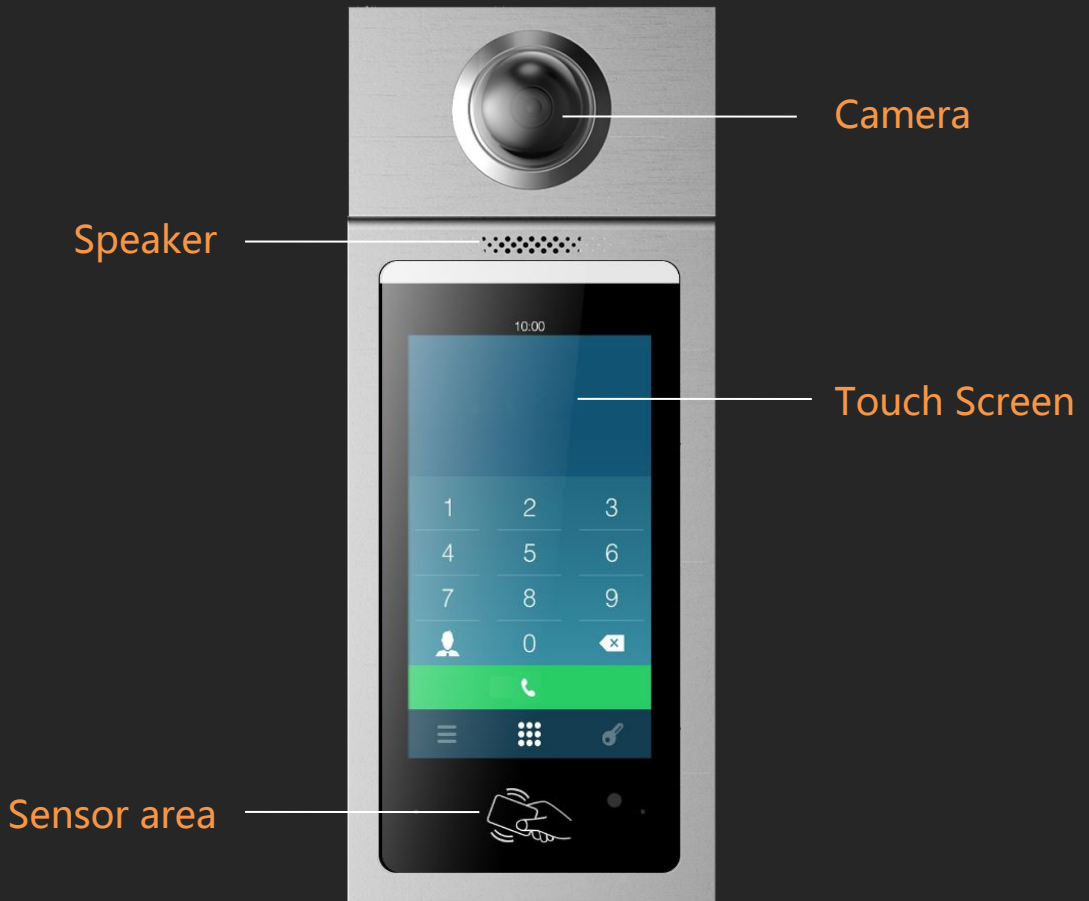


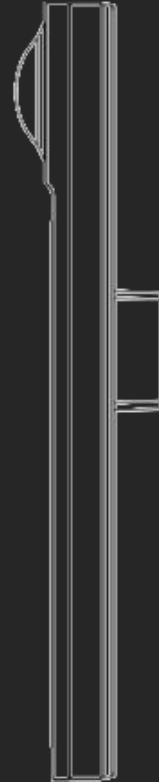
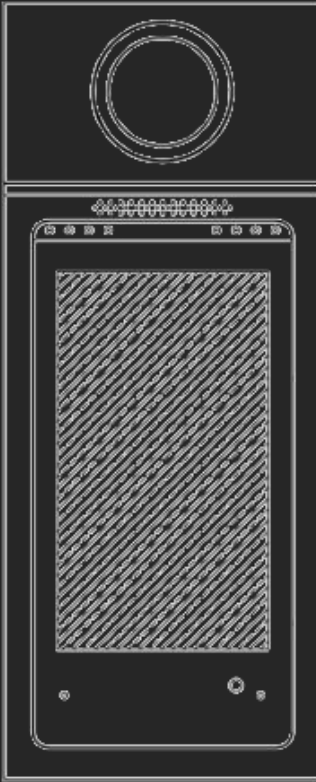
Akuvox

Smart Door Phone SDP-R29
Manual

Welcome

Welcome to use SDP-R29 , this manual will guide you how to install this door phone.





Parameter

CPU Quarter Cortex-A7
 ROM 4GB
 RAM 2GB
 Camera 500W,HD
 Screen 7Inch IPS

Touch Screen 7 Inch
 G-SENSOR 3 axis gravity sensor
 Internet Cable , WIFI , 3G/4G
 Installation Wall amount
 Size 317*130*23mm

Steps

01 Preparation

Pen , Ruler , Screwdriver

02 Installation

02-1 Use the pen, to mark the place.

02-2 Fix the pylon in the wall with screw.

02-3 Connect the power cable, and internet cable.

02-4 Install the main body.

03 Finish

Enjoy !

01 Preparation

Pen, ruler, screwdriver



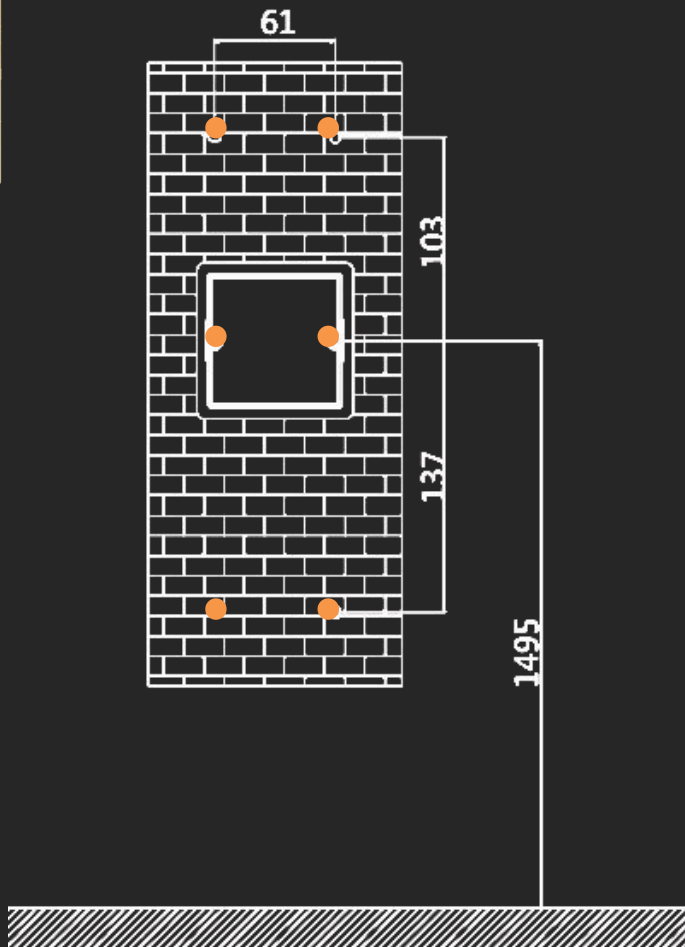
Accessories bag :

Camera waterproof cover	1Pcs
Interface waterproof cover	1Pcs
Screw of pylon (big black)	6Pcs
Screw of waterproof cover (Small black)	4Pcs
Screw of main body (middle silver)	1Pcs
Six Angle with a screwdriver	1Pcs

02 Installation

02-1

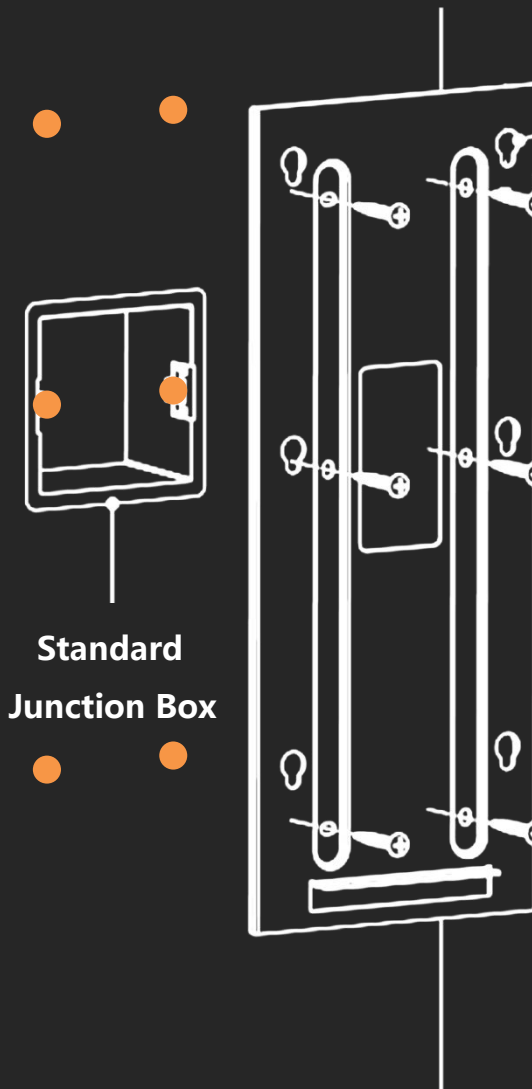
Use the pen to mark the place



02 Installation

02-2

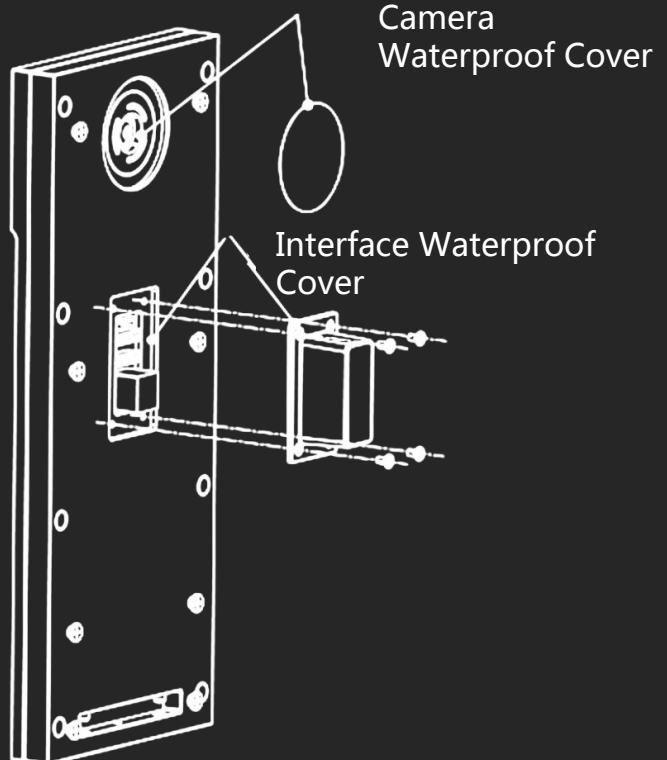
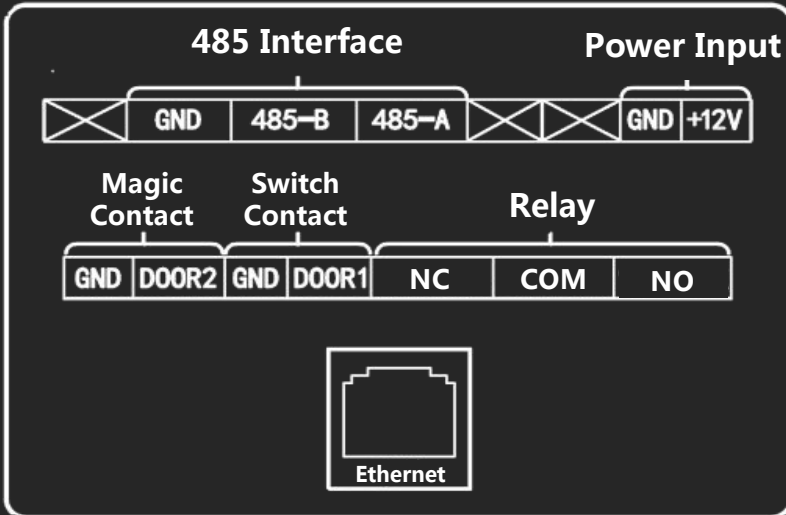
Fix the pylon with the screw.



02 Installaion

02-3

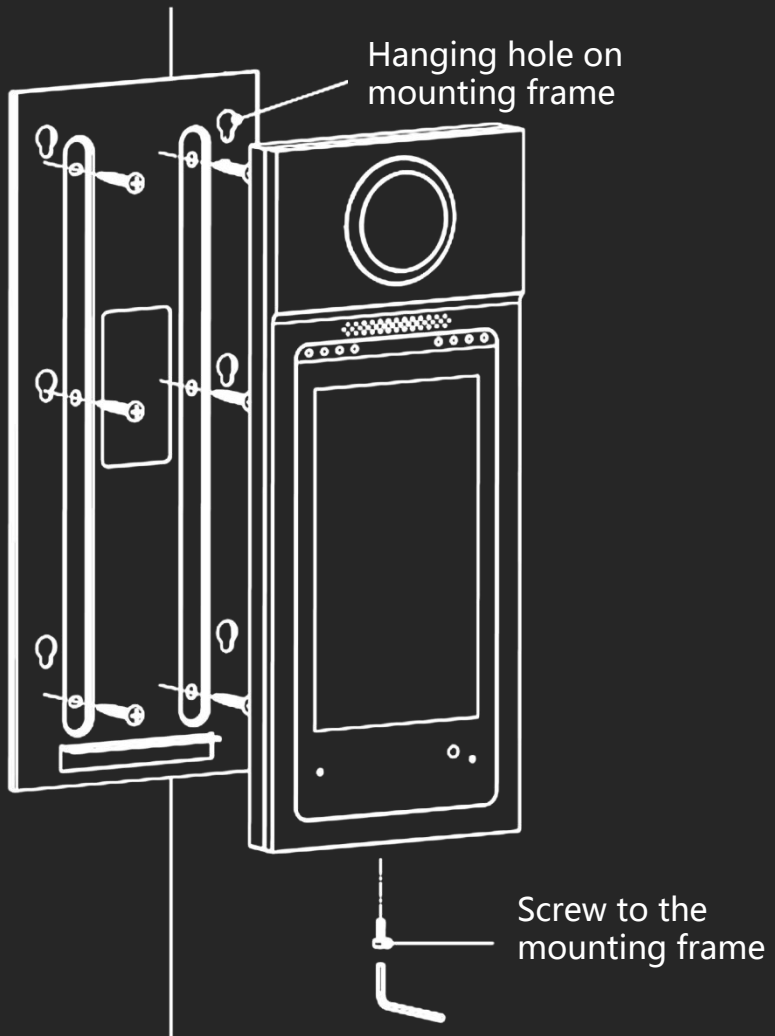
Connect the power cable and internet cable, then fix the camera waterproof cover and interface waterproof cover.



02 installaion

02-4

Fix the main body.



03 Finish

Enjoy !

